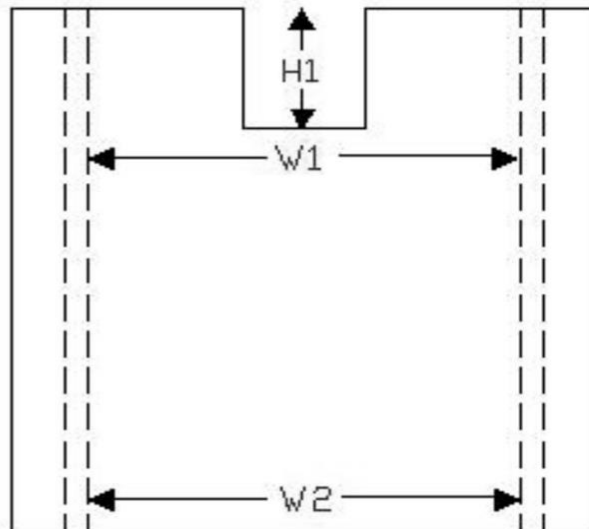
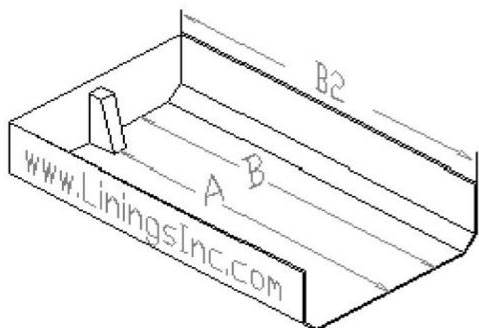


Date: \_\_\_\_\_  
 Company: \_\_\_\_\_  
 Address: \_\_\_\_\_  
 City: \_\_\_\_\_  
 State: \_\_\_\_\_ Zip: \_\_\_\_\_  
 Phone: \_\_\_\_\_  
 Fax: \_\_\_\_\_ # OF Units: \_\_\_\_\_  
 Email: \_\_\_\_\_



Phone: 330-296-7703  
 Fax: 330-296-7736  
 sales@liningsinc.com



A: \_\_\_\_\_ B: \_\_\_\_\_

B2: \_\_\_\_\_ (slope front) height at 2 ft.

**Corner: Radius or Angle Dimension**



RADIUS (or) ANGLE  
 E2= \_\_\_\_\_ E1= \_\_\_\_\_

<b>Flat Width</b> (between cleanouts)
W1 (Front)
W2 (Rear)
<b>Hoist Pedestal</b> (dog-box cut-out dimensions)
H1

**Liner Material:**

**Thickness:**

**Width**



- BLACK HMW
- WHITE HMW

- 1/2
- 3/8
- 1/4

- 8 ft - 101"
- 10 ft
- 12 ft
- 13 ft
- 14 ft
- 15 ft
- 16 ft

**Asphalt Hauling:**

- Yes  No

**Rear Hold Down Plate**

- Yes  No

**HEAT SHIELD**

- Yes  No

**Installation Type:**

- Installed (by us)
- Kit Only
- Aluminum Body
- Steel Body

<b>Bulkhead &amp; Hoist</b>	<input type="checkbox"/> Yes <input type="checkbox"/> No	<b>Height:</b> <input type="checkbox"/> 2' <input type="checkbox"/> 4'
		<b>Thickness:</b> <input type="checkbox"/> 1/4" <input type="checkbox"/> 3/8" <input type="checkbox"/> 1/2"
<b>Sidewall Kit</b>	<input type="checkbox"/> Yes <input type="checkbox"/> No	<b>Height:</b> _____
		<b>Thickness:</b> <input type="checkbox"/> 1/4" <input type="checkbox"/> 3/8" <input type="checkbox"/> 1/2"
<b>Tailgate Kit:</b>	<input type="checkbox"/> Yes <input type="checkbox"/> No	<b>Height:</b> _____

Quote for material: \$ \_\_\_\_\_ + Freight and Install Rate: \$ \_\_\_\_\_ = Quote/Unit: \$ \_\_\_\_\_

This quote is good for \_\_\_\_\_ days from the above date. Number of units \_\_\_\_\_ = Total Quote \$ \_\_\_\_\_