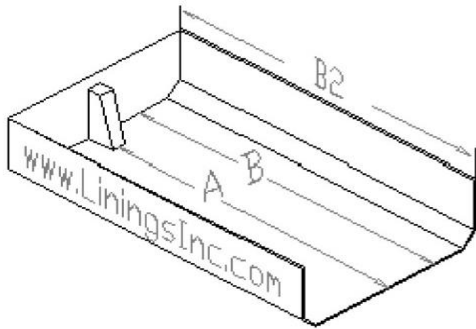


Date: _____
 Company: _____
 Address: _____
 City: _____
 State: _____ Zip: _____
 Phone: _____
 Fax: _____ # OF Units: _____
 Email: _____

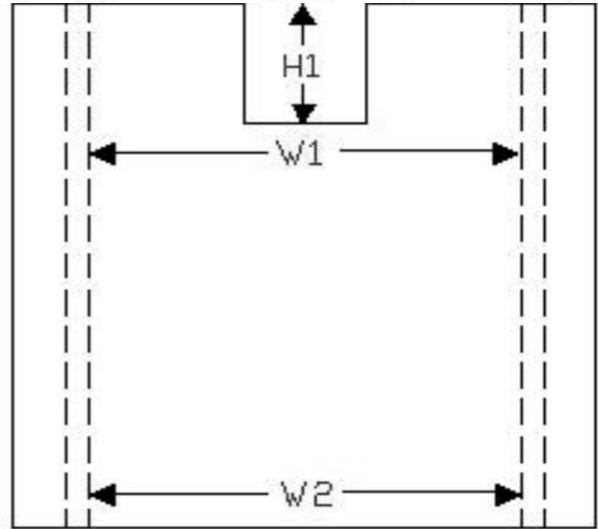
Linings Inc

5839 State Route 5
 Ravenna, OH 44266
 Ph 800-939-1016
 Fax 330-296-7736
 www.liningsinc.com
 Sales@liningsinc.com



A: _____ B: _____

B2: _____ (slope front) height at 2 ft.



Corner: Radius or Angle Dimension



RADIUS (or) ANGLE

E2= _____ E1= _____

Flat Width (between cleanouts)
W1 (Front)
W2 (Rear)
Hoist Pedestal (dog-box cut-out dimensions)
H1

- | | | |
|---|------------------------------|--------------------------------------|
| Liner Material: | Thickness: | Width |
| <input type="checkbox"/> QuickSilver | <input type="checkbox"/> 1/2 | <input type="checkbox"/> 8 ft - 102" |
| <input type="checkbox"/> DURAPRO | <input type="checkbox"/> 3/8 | <input type="checkbox"/> 10 ft |
| <input type="checkbox"/> THE HAULK | <input type="checkbox"/> 1/4 | <input type="checkbox"/> 12 ft |
| | | <input type="checkbox"/> 13 ft |
| | | <input type="checkbox"/> 14 ft |
| <input type="checkbox"/> BLACK HMW | | <input type="checkbox"/> 15 ft |
| <input type="checkbox"/> WHITE HMW | | <input type="checkbox"/> 16 ft |

- | | |
|--|--|
| Asphalt Hauling: | Installation Type: |
| <input type="checkbox"/> Yes <input type="checkbox"/> No | <input type="checkbox"/> Installed (by us) |
| Rear Hold Down Plate | <input type="checkbox"/> Kit Only |
| <input type="checkbox"/> Yes <input type="checkbox"/> No | <input type="checkbox"/> Aluminum Body |
| HEAT SHIELD | <input type="checkbox"/> Steel Body |
| <input type="checkbox"/> Yes <input type="checkbox"/> No | |

Bulkhead & Hoist	<input type="checkbox"/> Yes <input type="checkbox"/> No	Height: <input type="checkbox"/> 2' <input type="checkbox"/> 4'
		Thickness: <input type="checkbox"/> 1/4" <input type="checkbox"/> 3/8" <input type="checkbox"/> 1/2"
Sidewall Kit	<input type="checkbox"/> Yes <input type="checkbox"/> No	Height: _____
		Thickness: <input type="checkbox"/> 1/4" <input type="checkbox"/> 3/8" <input type="checkbox"/> 1/2"
Tailgate Kit	<input type="checkbox"/> Yes <input type="checkbox"/> No	Height: _____

LININGS, INC

Quote for material: \$ _____ + Freight and Install Rate: \$ _____ = Quote/Unit: \$ _____

This quote is good for _____ days from the above date. Number of units _____ = Total Quote \$ _____